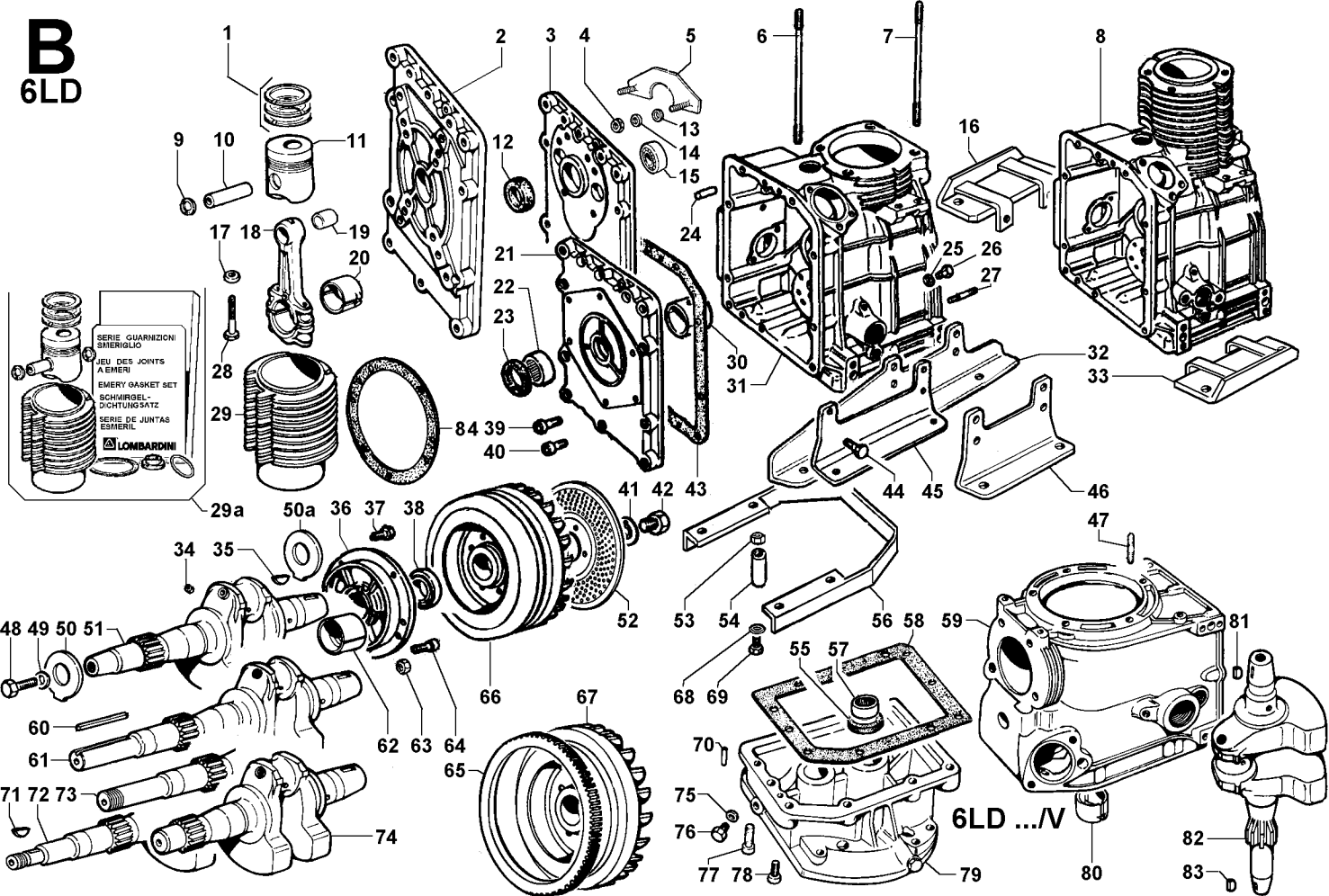
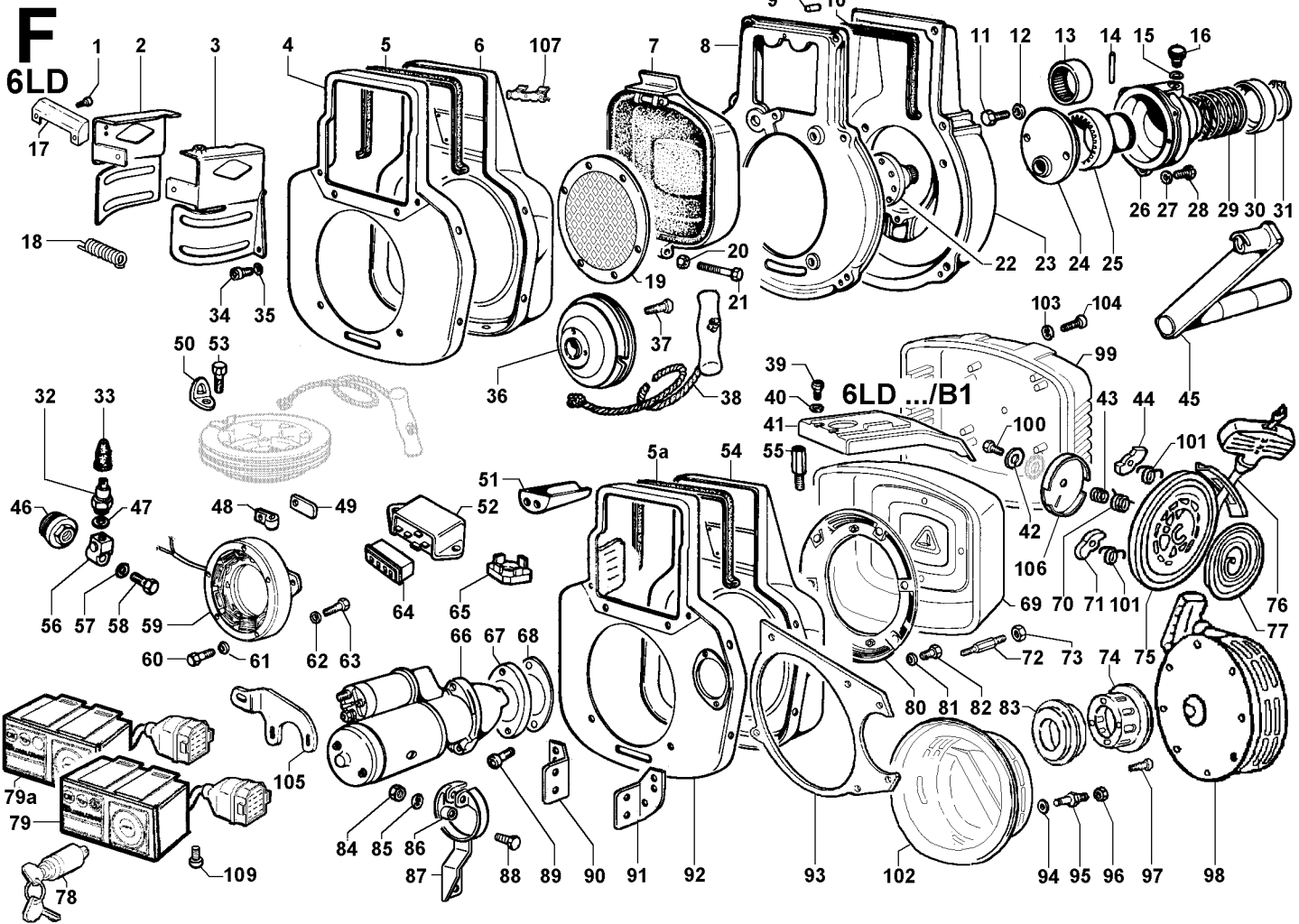




# B 6LD

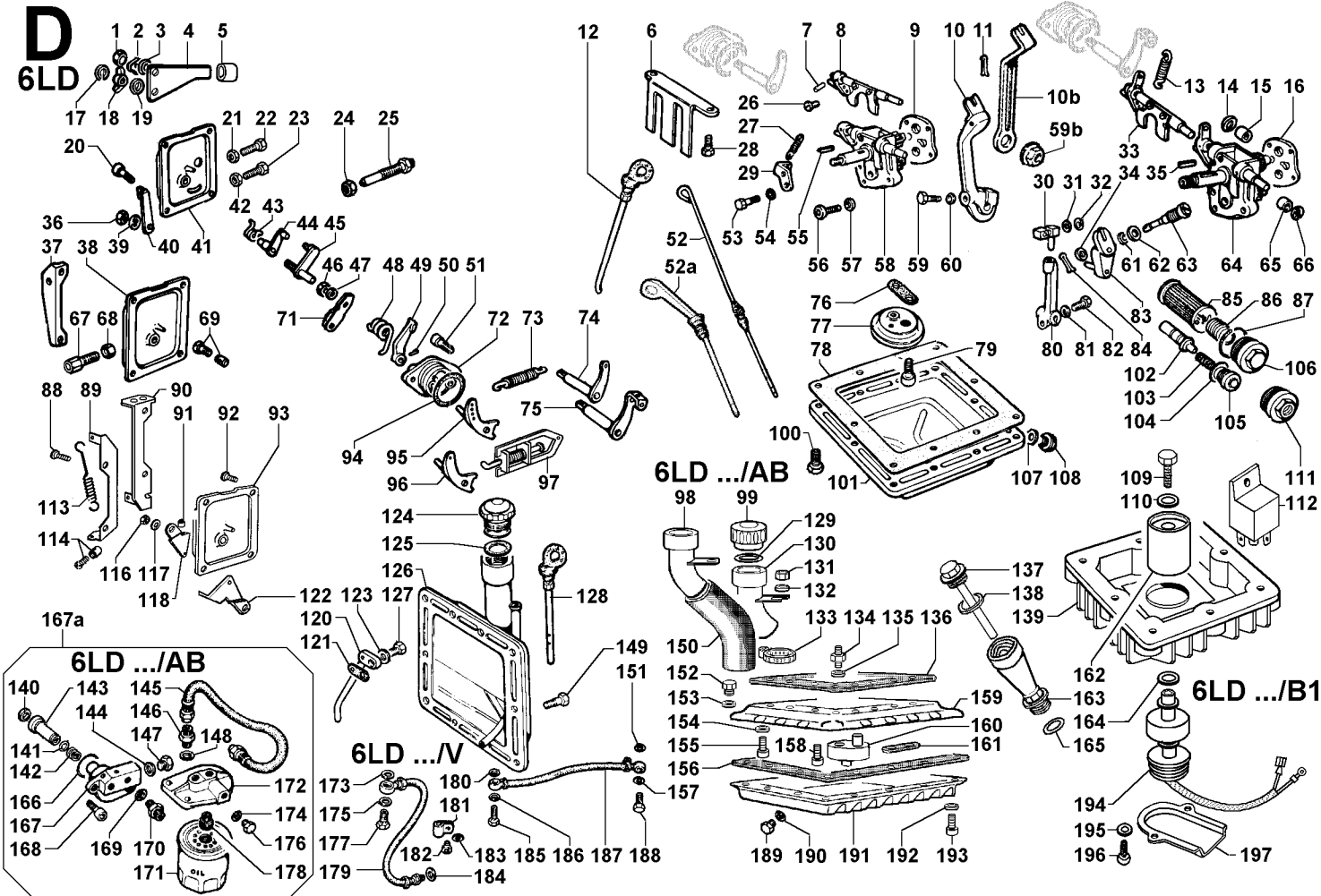




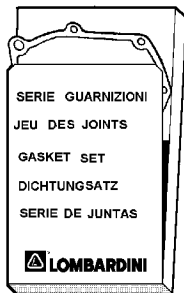
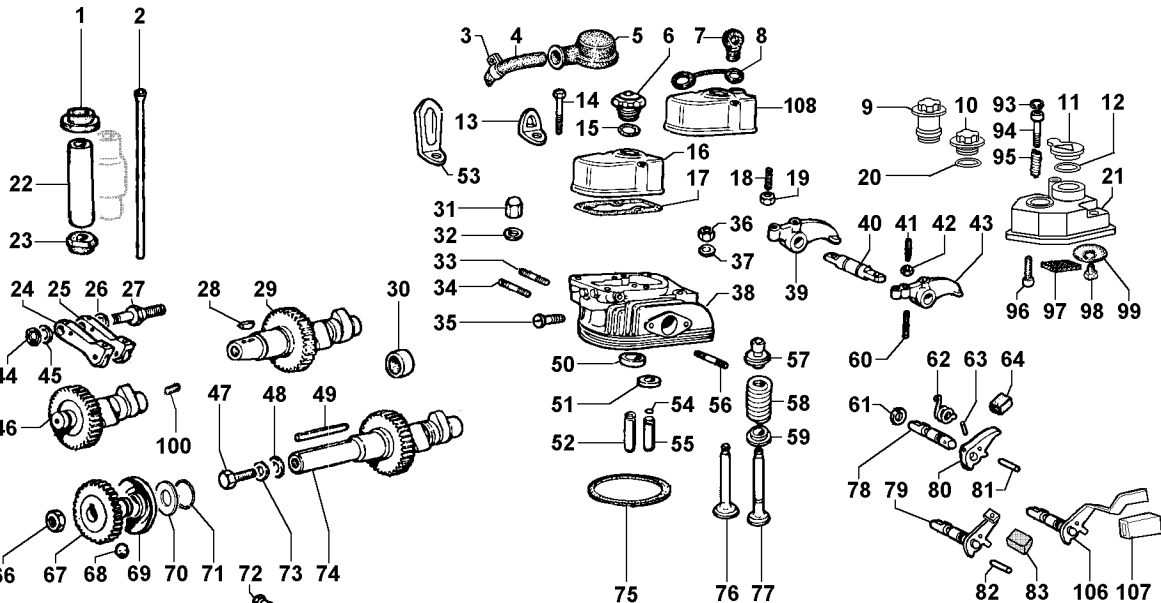


# D

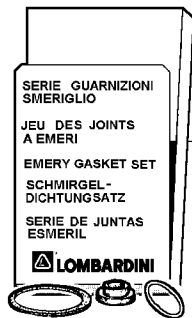
## 6LD



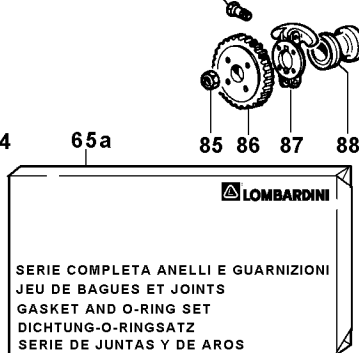
# C 6LD



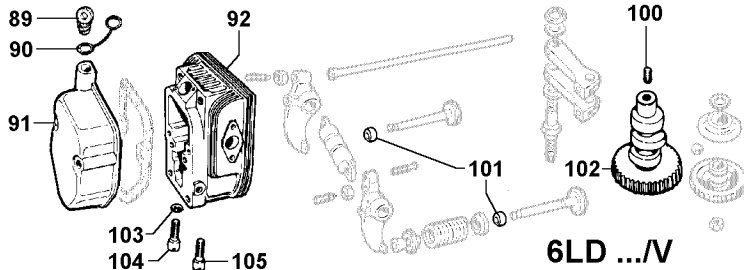
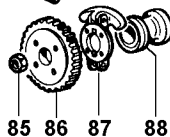
65



84



65a



6LD ...IV

**Z**  
**6LD**

- 1560.192 std 6LD 325
- 1560.177 std 6LD 360
- 1560.141 std 6LD 400
- 1560.232 std 6LD 435
- 1560.235 std 6LD 435/B1
- 1560.236 Ext 6 6LD 435/B1
- 1560.272 std 6LD 435/B1 Gen Set

- 1560.179 Ext a 3 6LD 360
- 1560.237 Ext A 3 6LD 360
- 1560.143 Ext a 3 6LD 400

- 1560.178 Ext 4 6LD 360

- 1560.180 Ext 9 6LD 360

- 1560.149 6LD 400/C
- 1560.150 6LD 400/C

