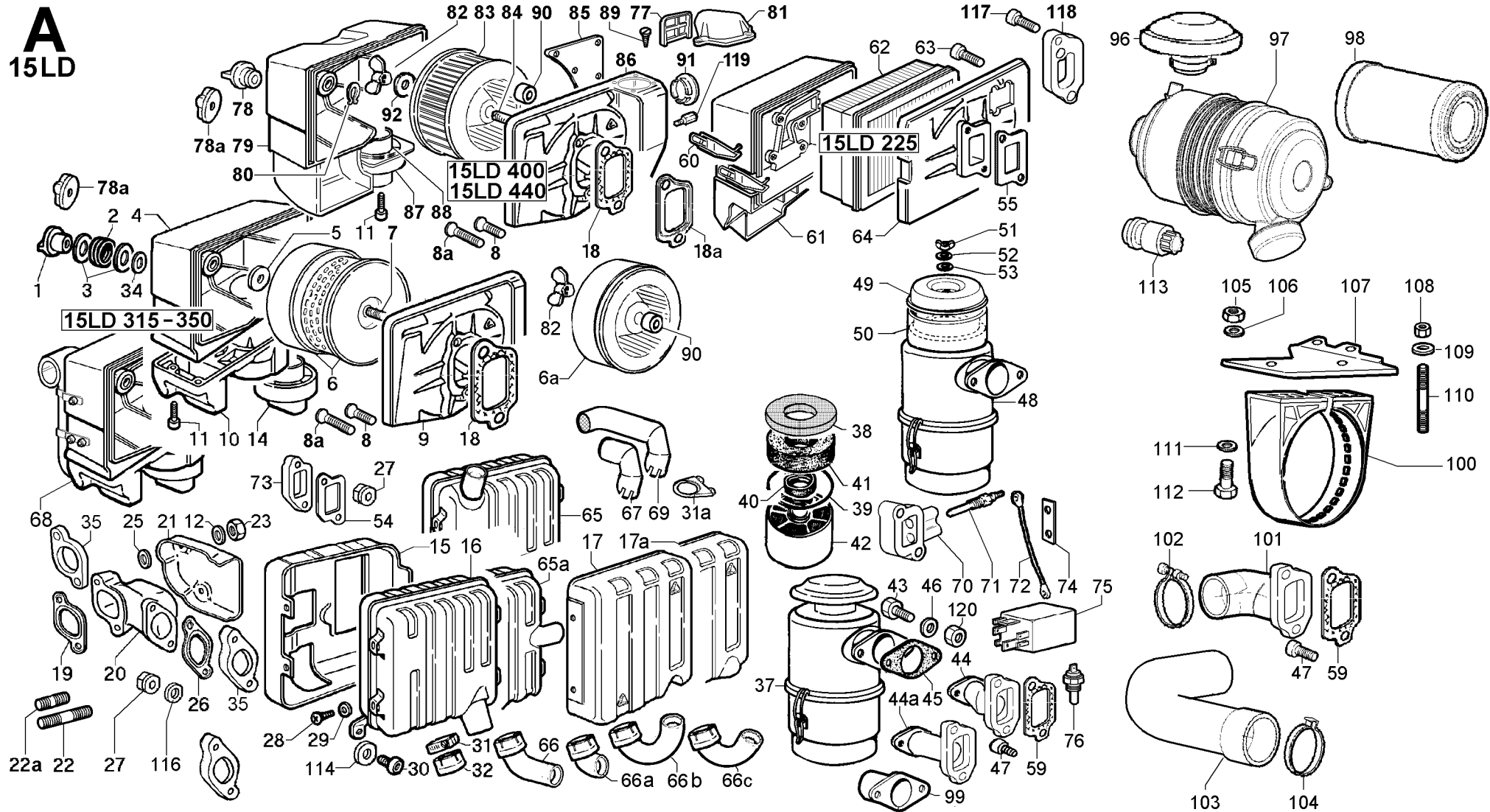
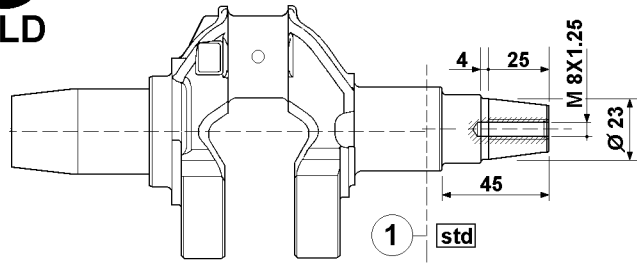


Lombardini 15LD 225 - 440

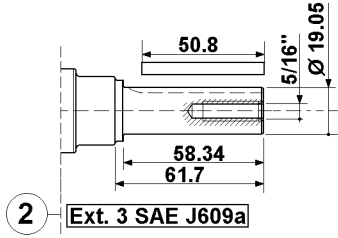
**A**  
**15LD**



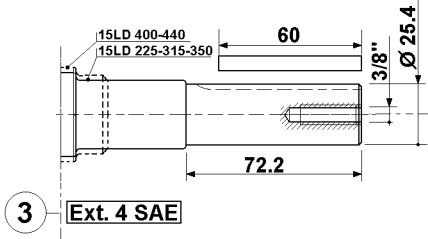
# G 15LD



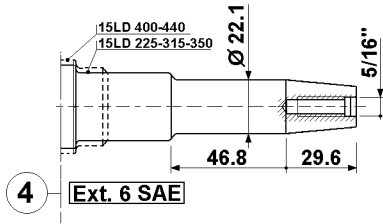
1 **std**



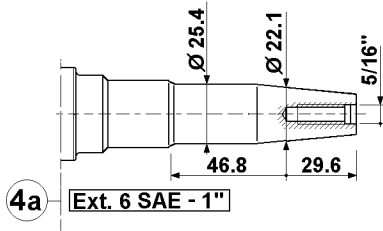
2 **Ext. 3 SAE J609a**



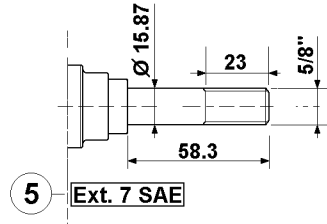
3 **Ext. 4 SAE**



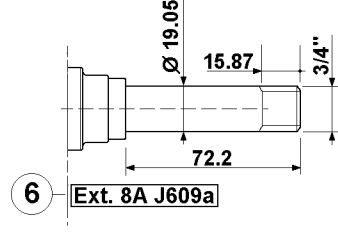
4 **Ext. 6 SAE**



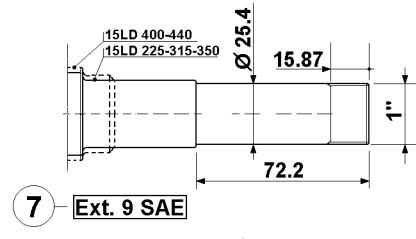
4a **Ext. 6 SAE - 1"**



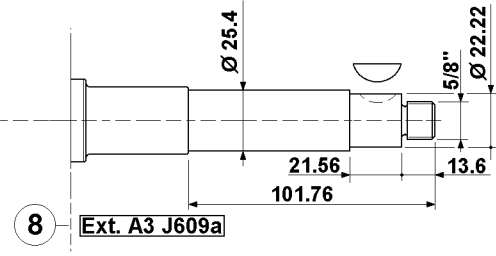
5 **Ext. 7 SAE**



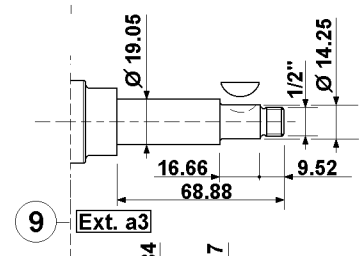
6 **Ext. 8A J609a**



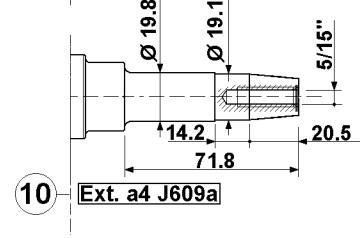
7 **Ext. 9 SAE**



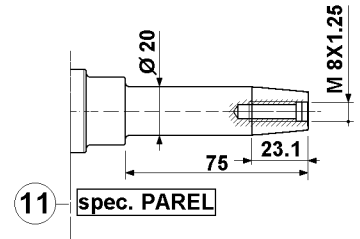
8 **Ext. A3 J609a**



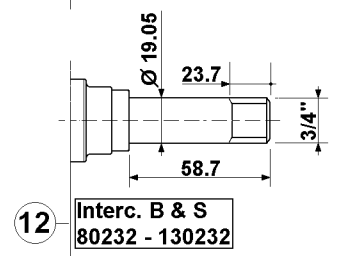
9 **Ext. a3**



10 **Ext. a4 J609a**

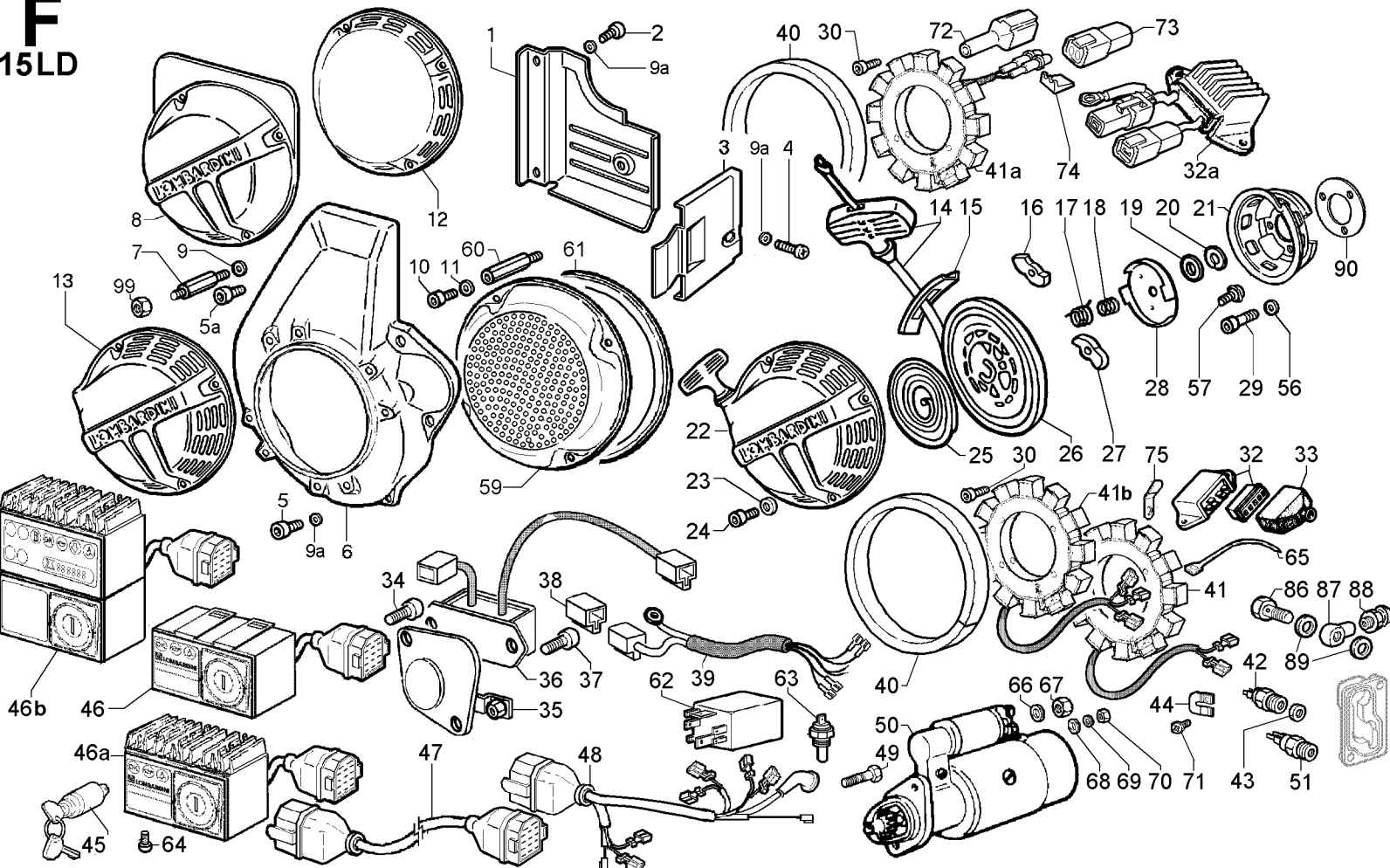


11 **spec. PAREL**

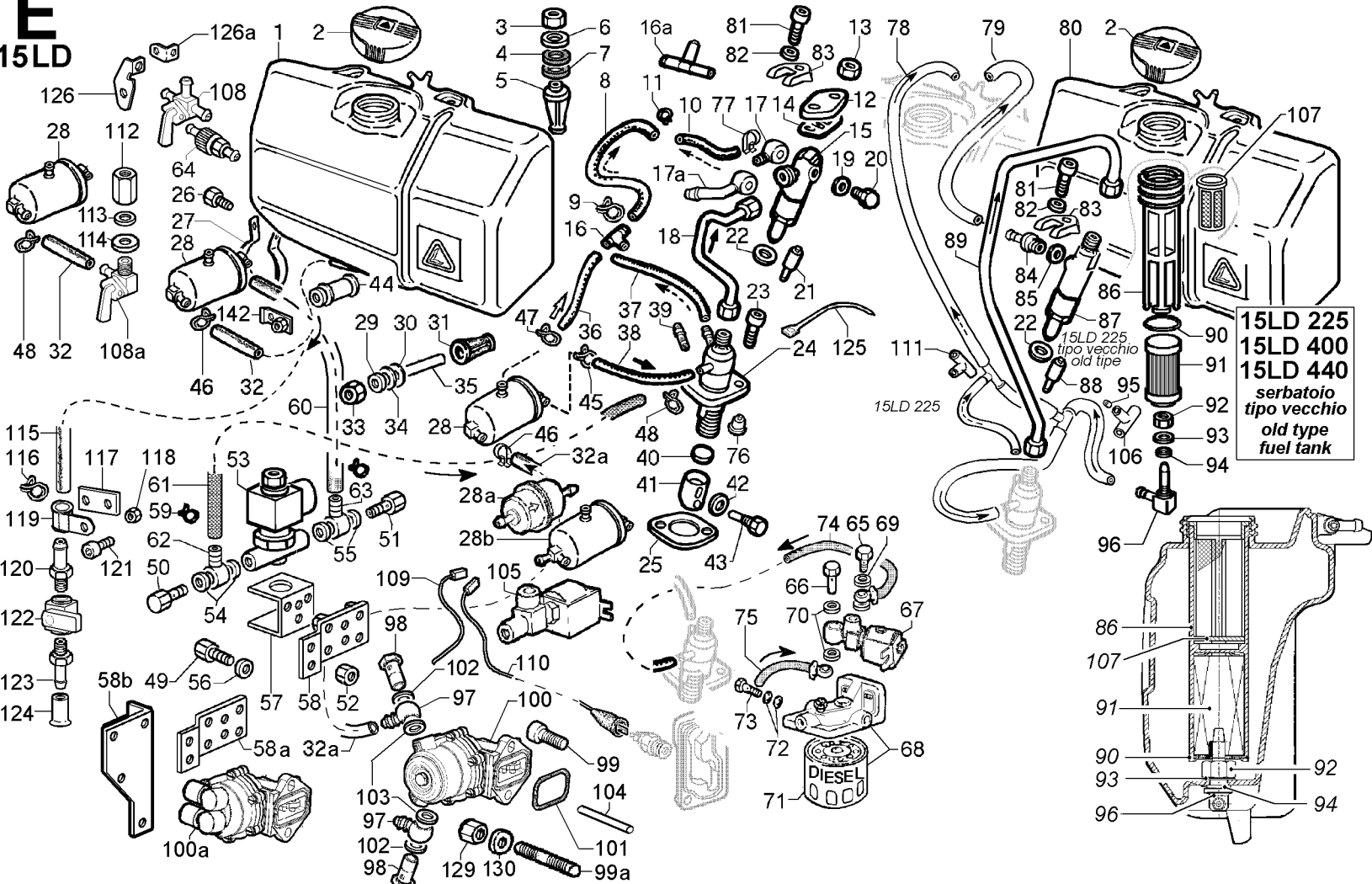


12 **Interc. B & S  
80232 - 130232**

# F 15LD



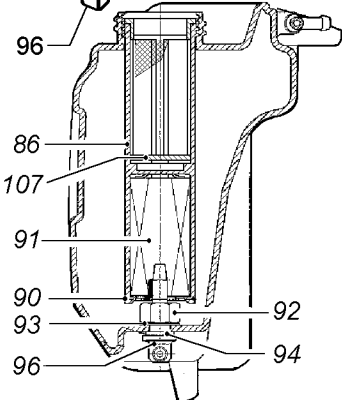
# E 15LD



**15LD 225**  
**15LD 400**  
**15LD 440**  
serbatoio  
tipo vecchio  
old type  
fuel tank

15LD 225

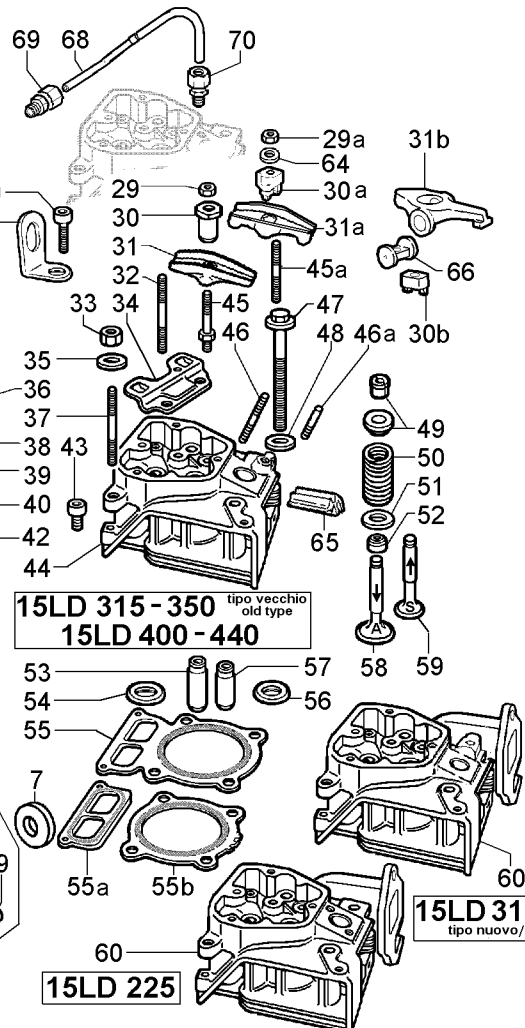
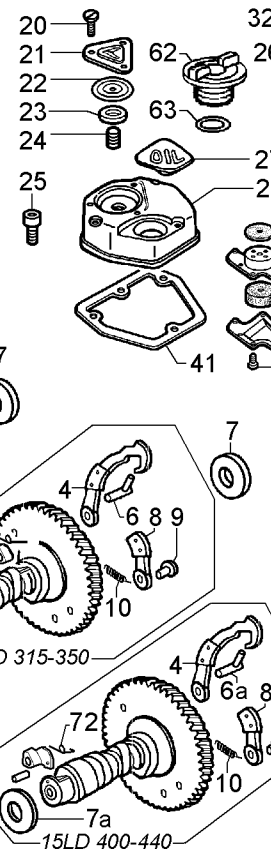
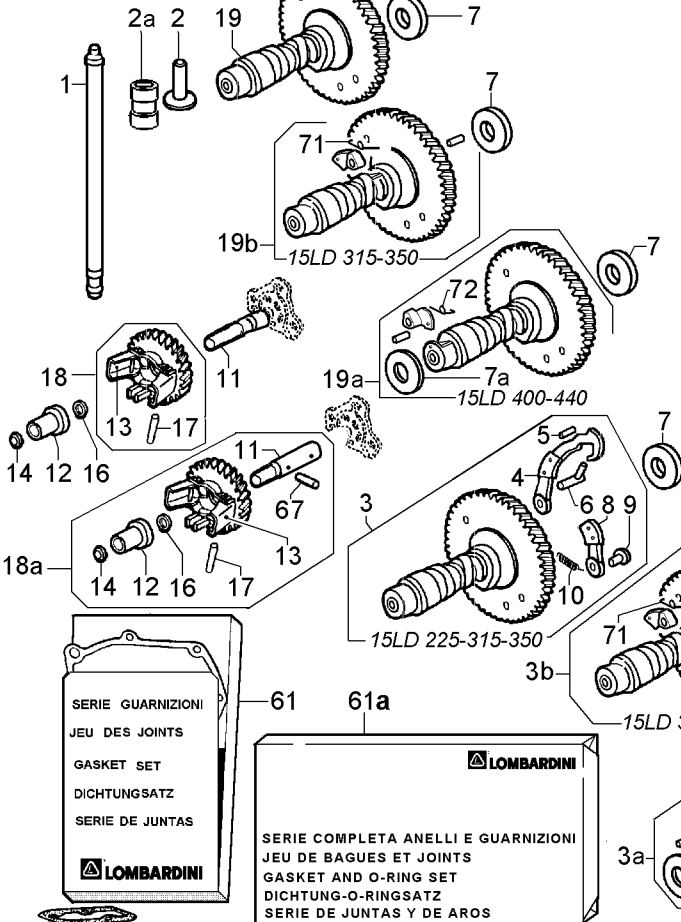
15LD 225  
tipo vecchio  
old type





# C 15LD

15LD 225-315-350



**15LD 315 - 350** tipo vecchio  
old type  
**15LD 400 - 440**

**15LD 315-350**  
tipo nuovo/new type

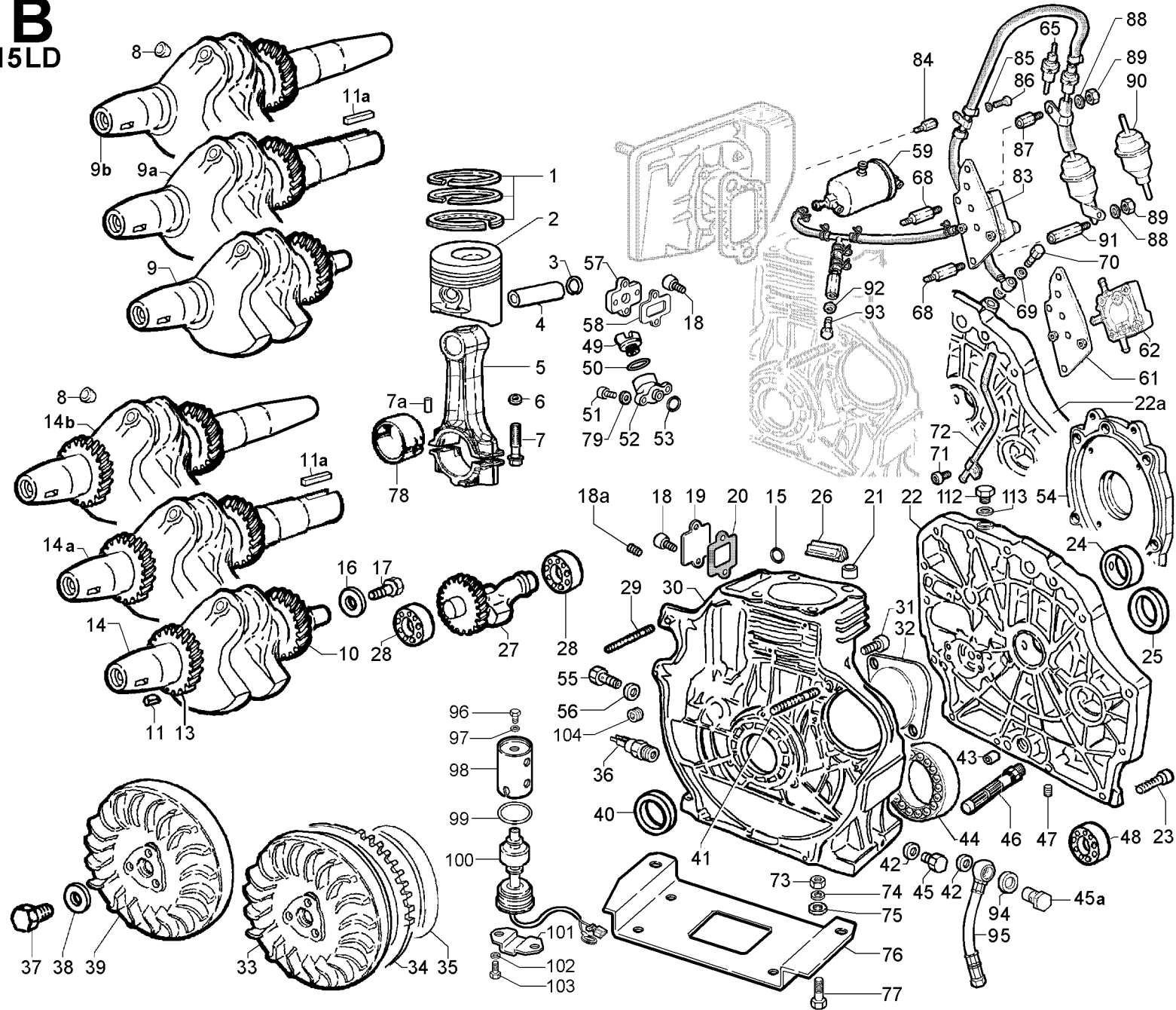
**15LD 225**

SERIE GUARNIZIONI  
JEU DES JOINTS  
GASKET SET  
DICHTUNGSATZ  
SERIE DE JUNTAS  
**LOMBARDINI**

**LOMBARDINI**  
SERIE COMPLETA ANELLI E GUARNIZIONI  
JEU DE BAGUES ET JOINTS  
GASKET AND O-RING SET  
DICHTUNG-O-RINGSATZ  
SERIE DE JUNTAS Y DE AROS

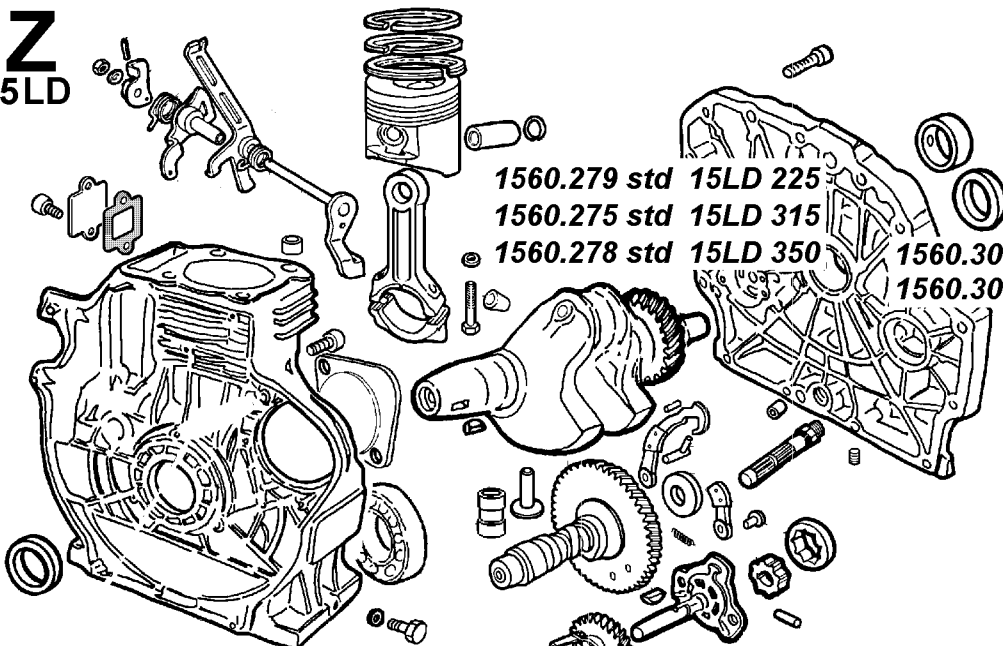
# B

15LD

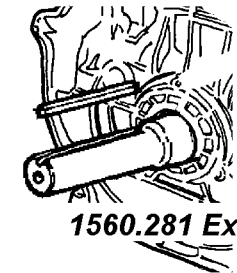




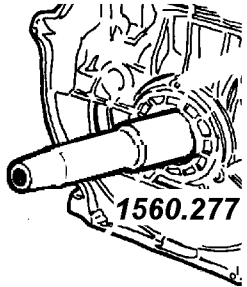
**Z**  
**15LD**



**1560.279 std 15LD 225**  
**1560.275 std 15LD 315**  
**1560.278 std 15LD 350**      **1560.301 std 15LD 400**  
**1560.303 std 15LD 440**



**1560.281 Ext 3 15LD 225**



**1560.277 Ext 6 15LD 315**

**1560.280 std 15LD 225**  
**1560.276 std 15LD 315**  
**1560.302 std 15LD 400**  
**1560.304 std 15LD 440**  
**con albero equilibratore**  
**with equalizer shaft**

